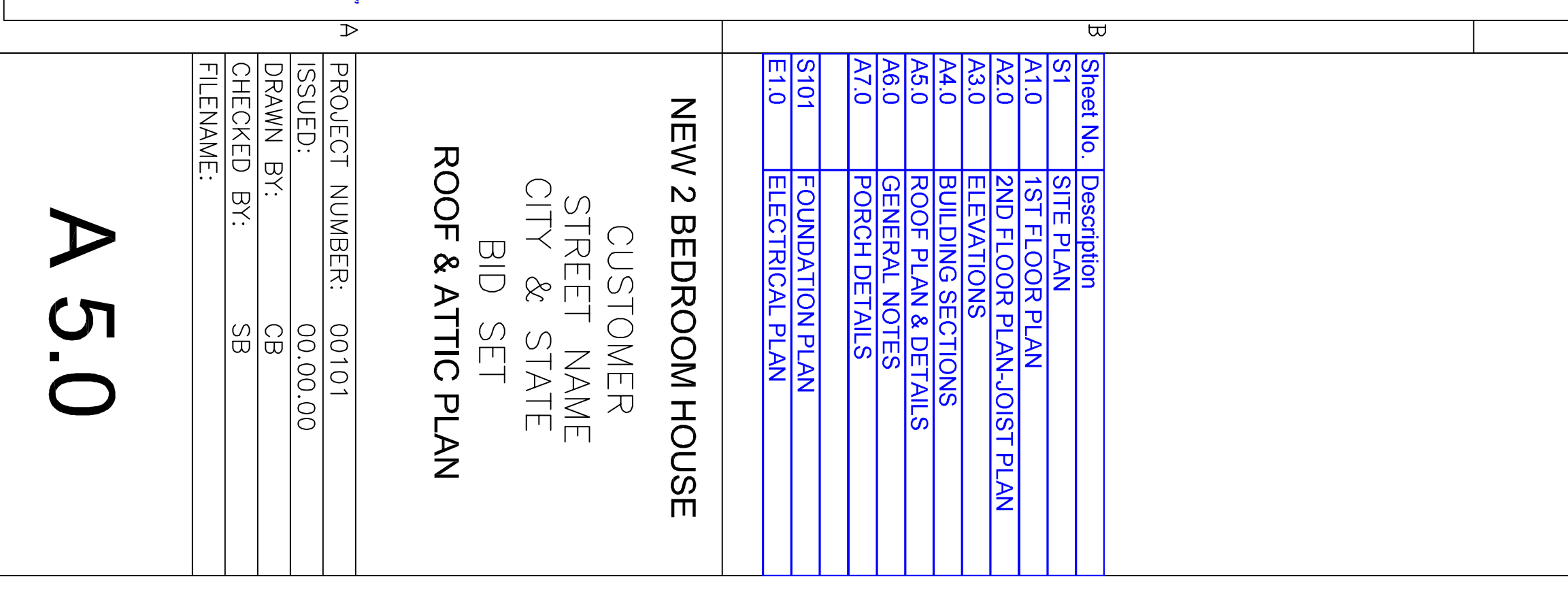
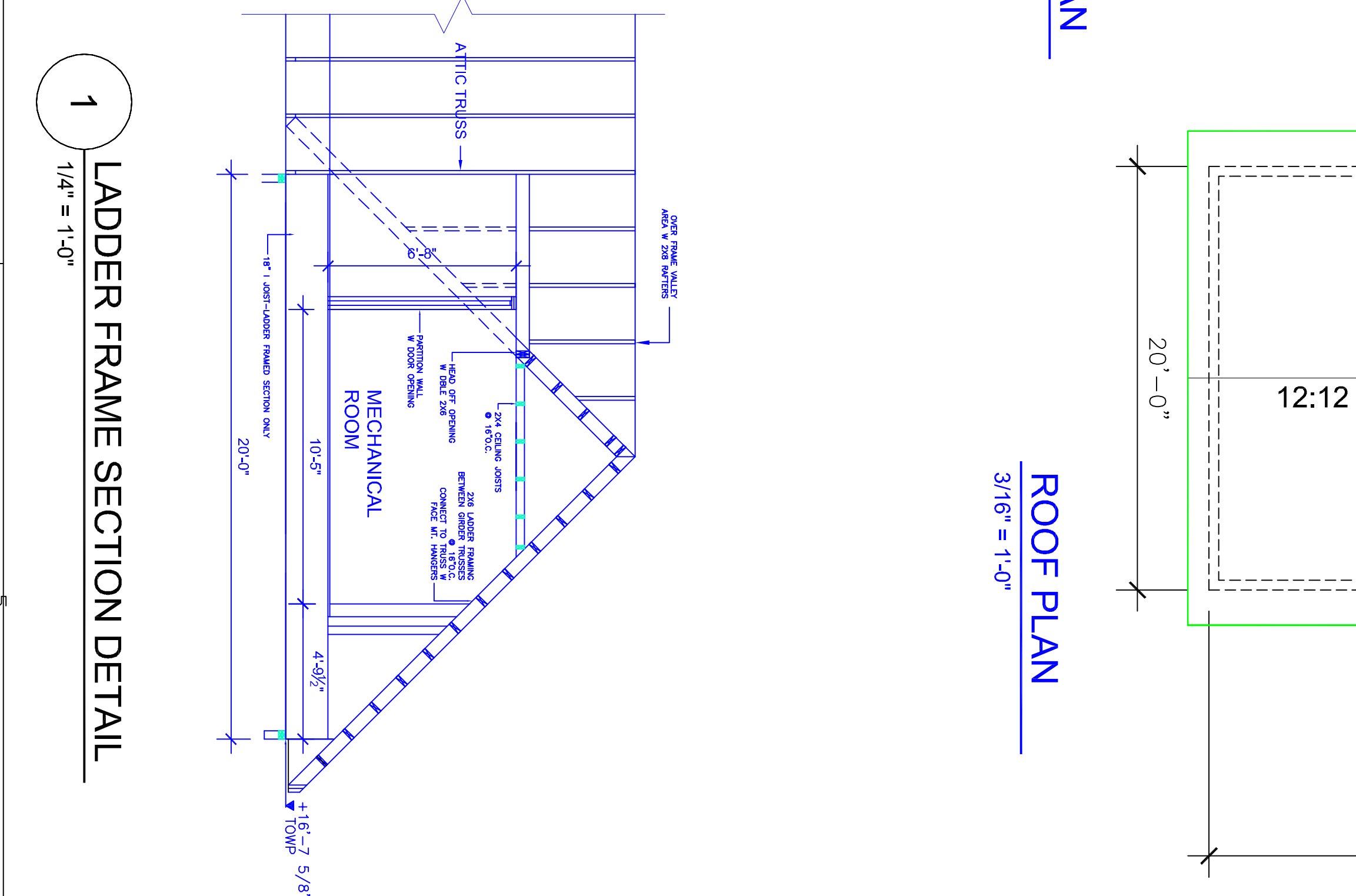
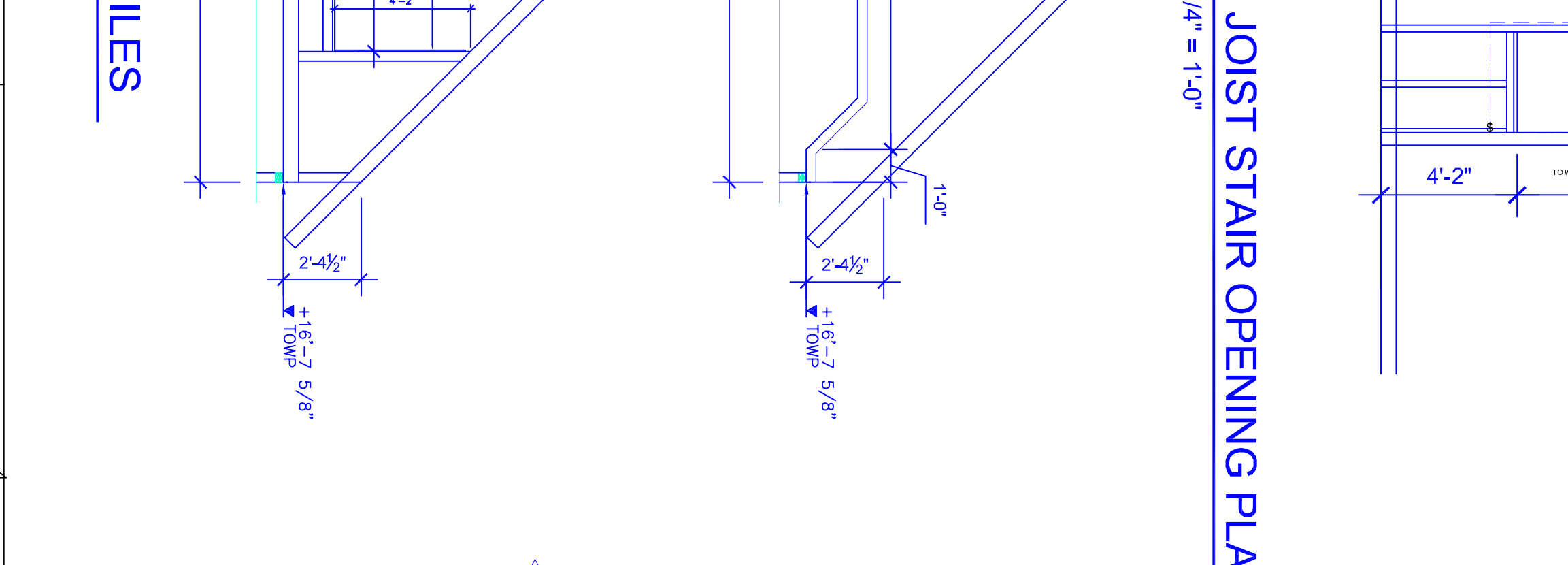
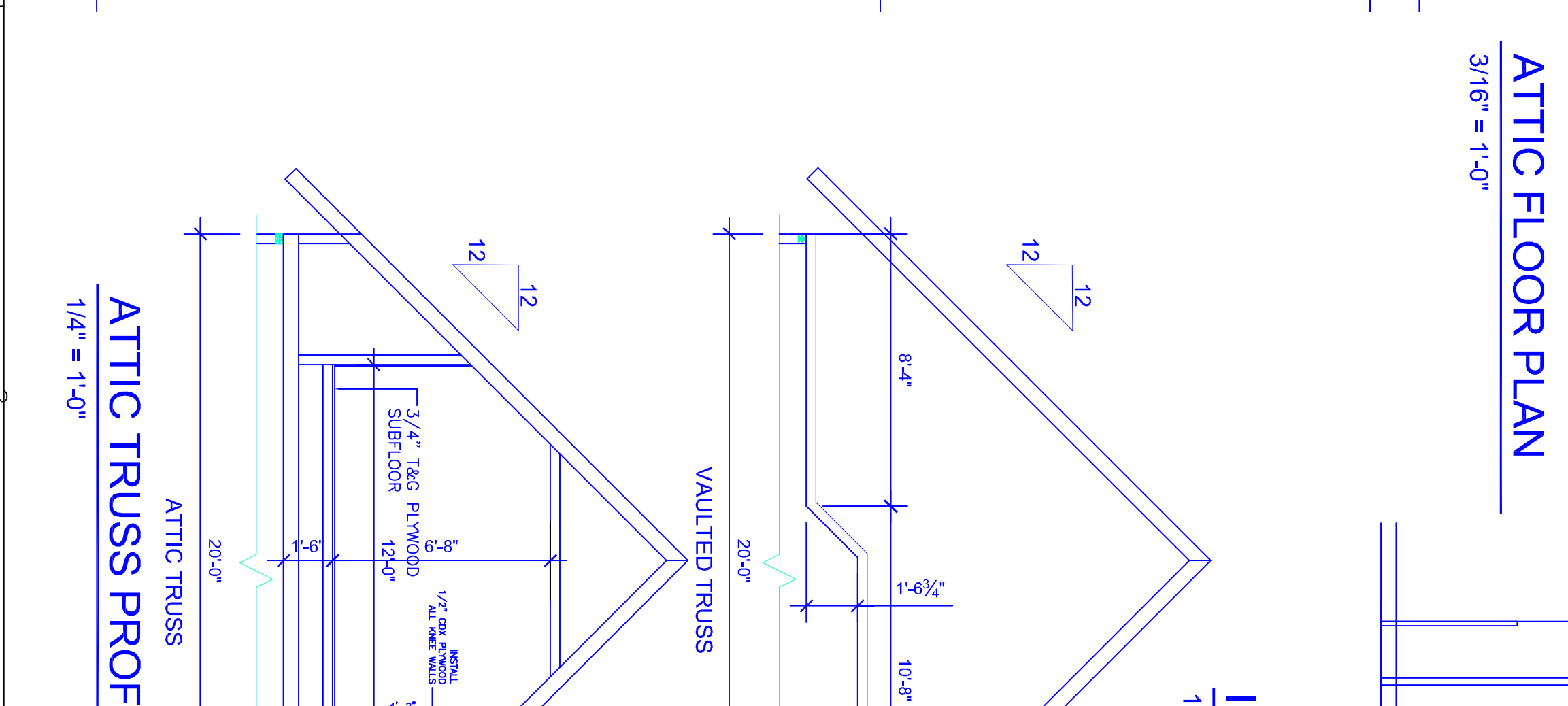
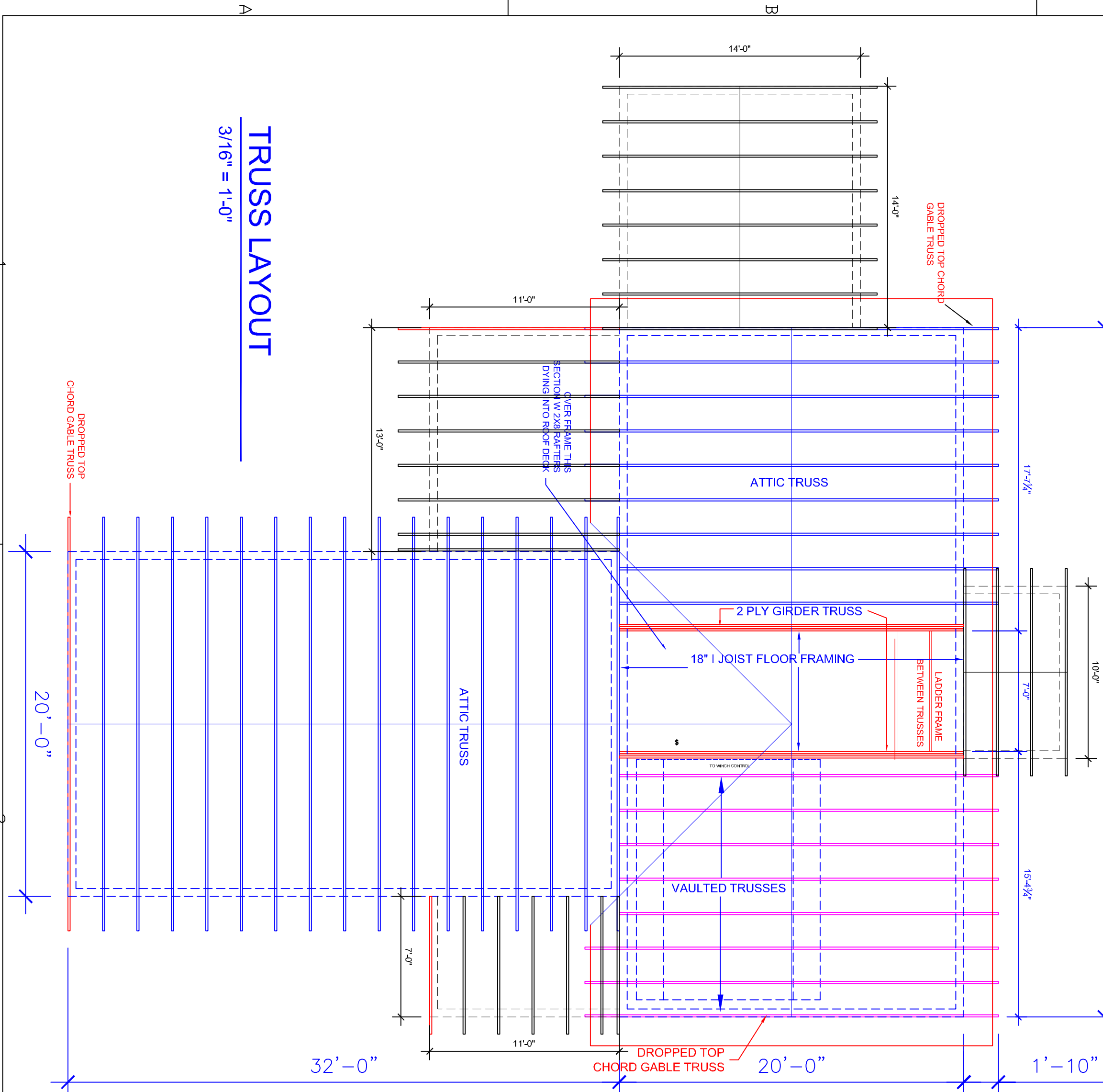
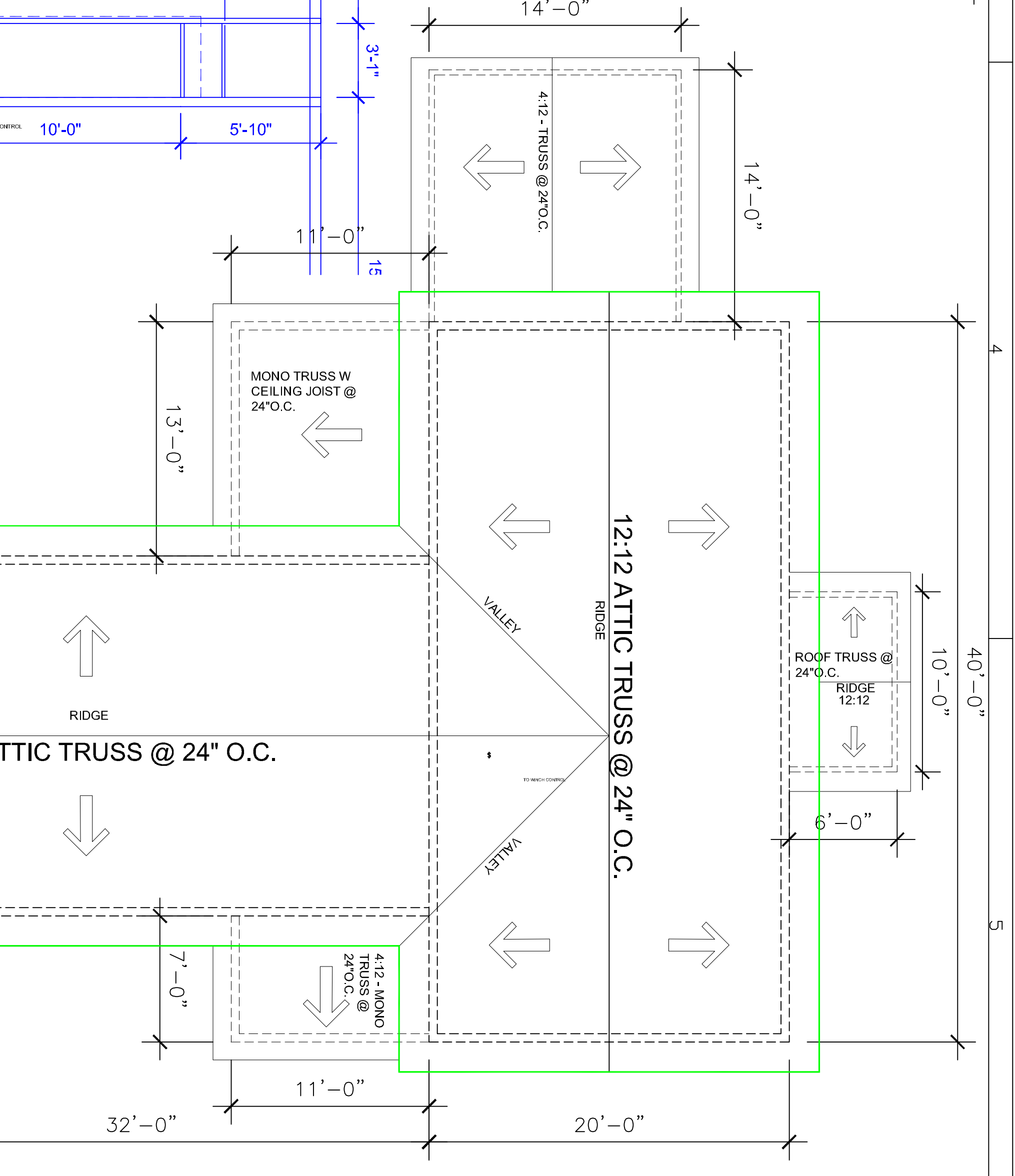
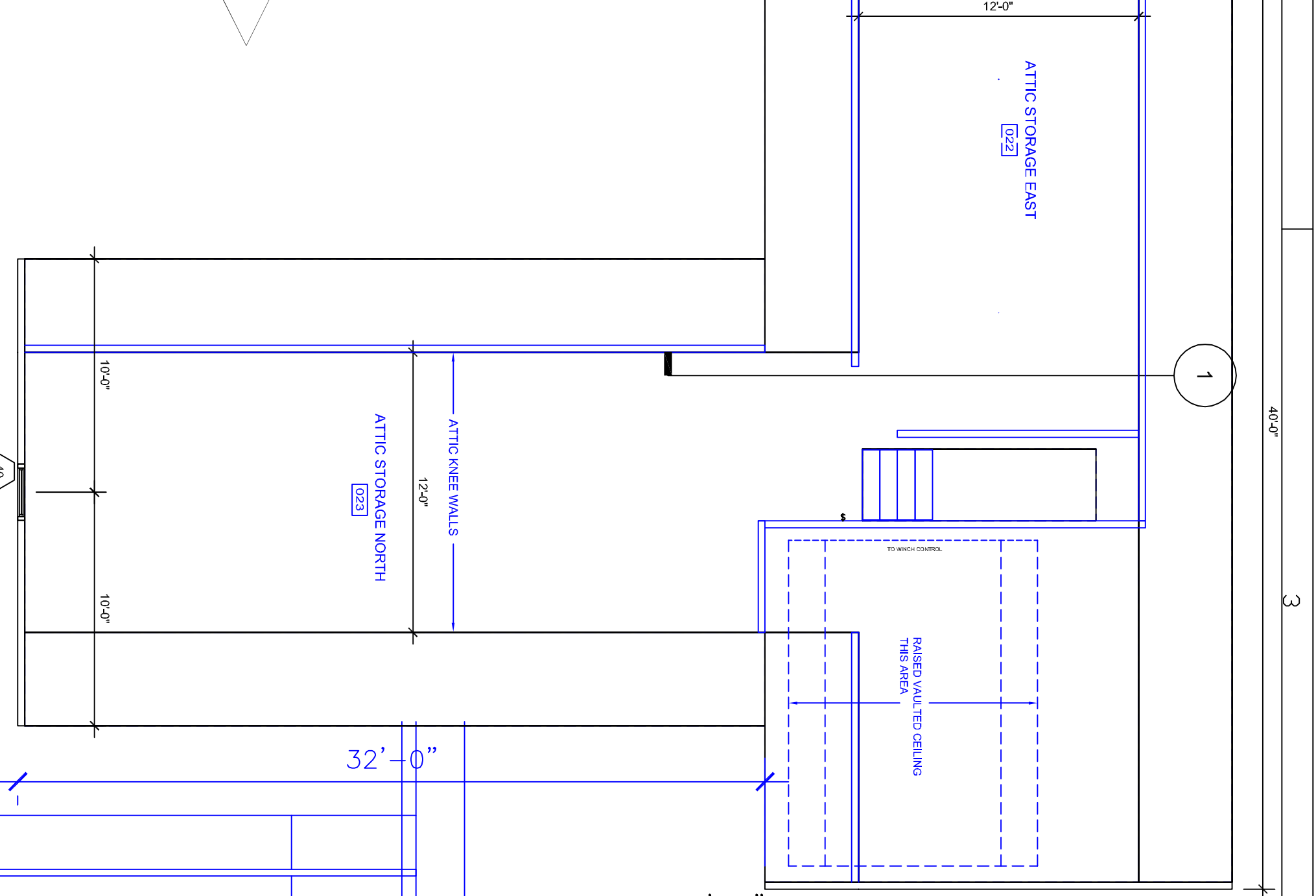
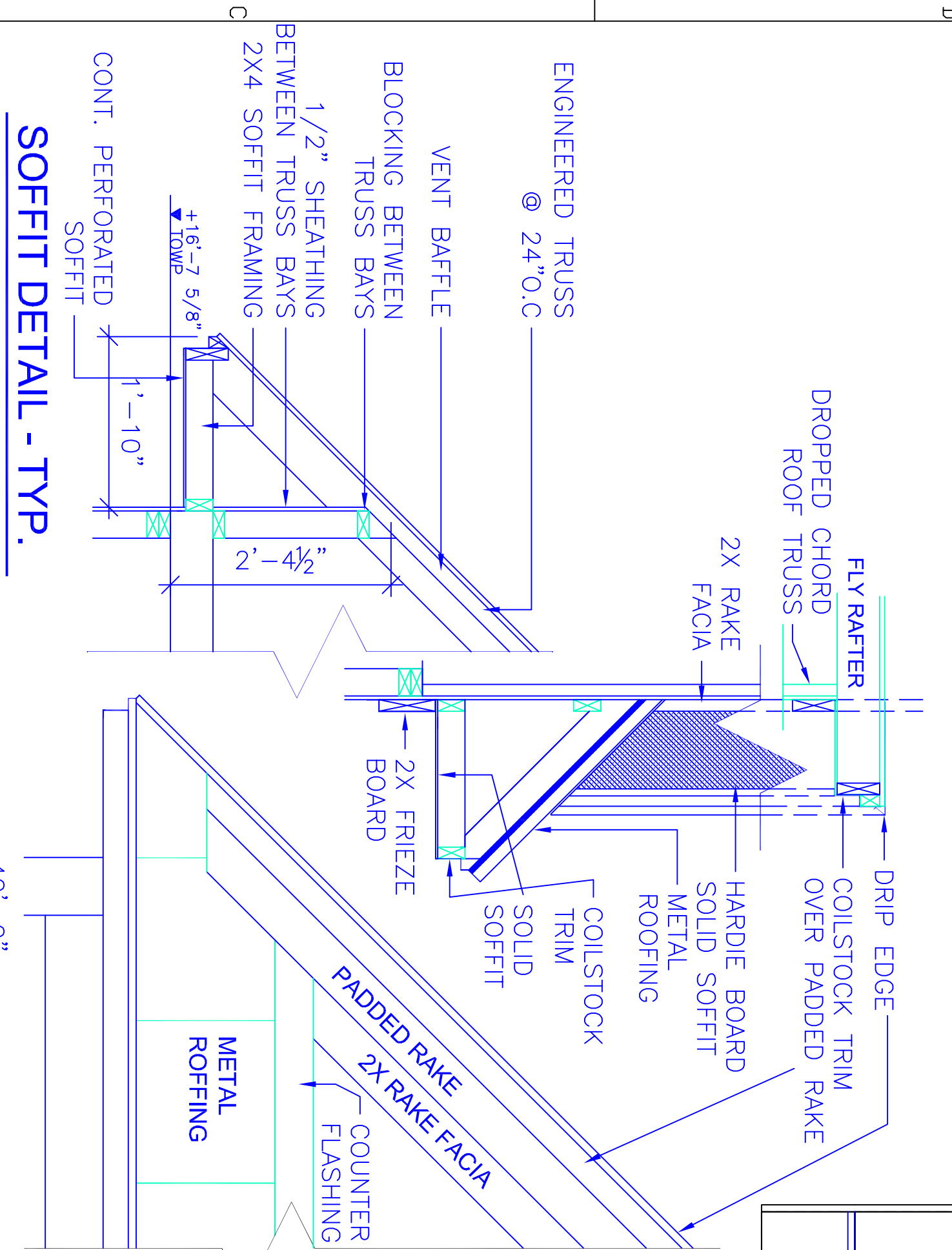
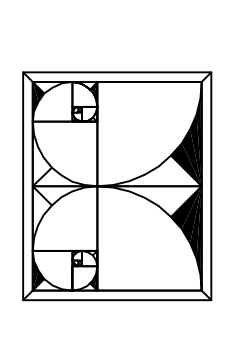


WINDOW SCHEDULE		MARK WIDTH HEIGHT TYPE MATERIAL NOTES	
W1	2'-2"	7'-3"	AWING FIBERGLASS Double
W2	2'-2"	6'-11 1/4"	AWING FIBERGLASS Double
W3	2'-2"	6'-11 1/4"	AWING FIBERGLASS Double

DOOR AND FRAME SCHEDULE		HARDWARE		NOTES	
D1	2'-2" x 7'-0"	PR	304	None	
D2	2'-2" x 7'-0"	PR	304	None	
D3	2'-2" x 7'-0"	PR	304	None	



**OMNIBUS DESIGNS**  
Plans & Designs for Residential Construction



Charles Babo  
494B Greenfield Rd.  
Doverfield MA 01542  
Ph: 413.824.2318  
Email: charles@omnibusdesigns.biz  
WWW.OMNIBUSDESIGNS.BIZ

This set of drawings, specifications and plans for this project were prepared by Omnibus Designs, Inc. and are the property of Omnibus Designs, Inc. All rights reserved. No part of this set of drawings, specifications and plans may be reproduced, stored in a retrieval system, or transmitted, in any form or by any means, electronic, mechanical, photocopying, recording, or by any information storage and retrieval system, without the prior written permission of Omnibus Designs, Inc. The user of these drawings, specifications and plans shall be responsible for obtaining all necessary permits and for complying with all applicable codes and regulations. Omnibus Designs, Inc. shall not be held responsible for any errors or omissions in these drawings, specifications and plans, or for any consequences arising therefrom. The user of these drawings, specifications and plans shall be responsible for obtaining all necessary permits and for complying with all applicable codes and regulations. Omnibus Designs, Inc. shall not be held responsible for any errors or omissions in these drawings, specifications and plans, or for any consequences arising therefrom.

Sheet No.	Description
S1	SITE PLAN
A1.0	1ST FLOOR PLAN
A2.0	2ND FLOOR PLAN-JOIST PLAN
A3.0	ELEVATIONS
A4.0	BUILDING SECTIONS
A5.0	ROOF PLAN & DETAILS
A6.0	GENERAL NOTES
A7.0	PORCH DETAILS
S101	FOUNDATION PLAN
E1.0	ELECTRICAL PLAN

**NEW 2 BEDROOM HOUSE**  
CUSTOMER  
STREET NAME  
CITY & STATE  
BID SET  
**ROOF & ATTIC PLAN**

PROJECT NUMBER: 00101  
ISSUED: 00.00.00  
DRAWN BY: CB  
CHECKED BY: SB  
FILENAME:

**A 5.0**